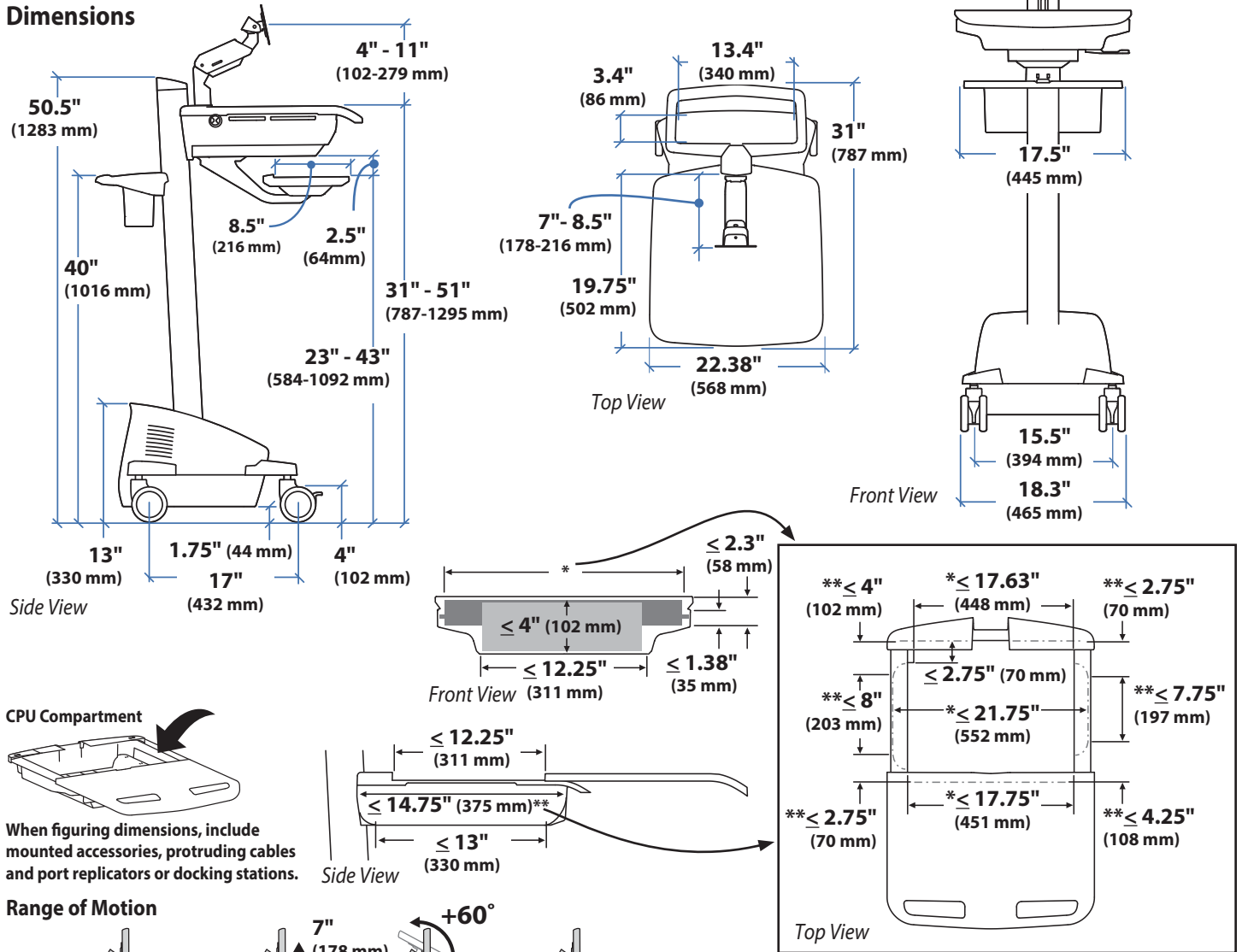
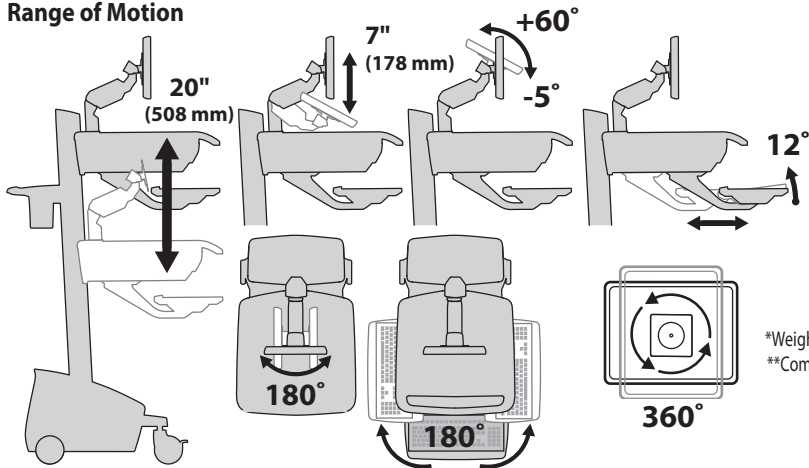


### Dimensions



### Range of Motion



### Weight Capacity: <14 lbs (6.4 kg)

Carts with LiFe Power System:  
5-11 lbs (2.3-5 kg)

0 lbs (0 kg) Open Worksurface

<5 lbs (2.3 kg) Closed Worksurface\*

<13 lbs (5.9 kg) CPU Compartment\*\*

\*Weight Capacity for carts with LiFe Power System is <3 lbs (1.4kg).

\*\*Combined LCD and CPU Compartment weight: <27 lbs (12.2 kg).

<3 lbs (1.4 kg)